



For additional information on **REACH™**  
 please visit [www.isuzucv.com](http://www.isuzucv.com)  
 or call **(866) 441-9638**

All photographs, illustrations, equipment and technical data shown are based on the latest information available at time of publication. Some vehicle images contain optional content. Isuzu Commercial Truck of America, Inc., reserves the right to make changes at any time, without notice, including prices, colors, materials, equipment, specifications and models, and to discontinue models or equipment. These vehicles are assembled from component parts manufactured by Isuzu Motors Limited, Utilmaster Corporation, their affiliated companies and independent suppliers. *Reach™* is a registered trademark of Spartan Motors. See your authorized Isuzu truck dealer for warranty and other details.



© 2017 ISUZU COMMERCIAL TRUCK OF AMERICA, INC.

TM10211 (2/2017)



**REACH**



# REACH™ THE SENSIBLE WALK-IN COMMERCIAL VAN FROM ISUZU AND UTILIMASTER:

## The Reach has what today's business owners want:

- A true commercial-grade vehicle that delivers reliable performance year after year.
- A timeless style that will still look great ten years from now.
- Fuel-efficient design—thanks to its lightweight, aerodynamic Utilimaster body and efficient Isuzu diesel powertrain, the Reach delivers up to 35% better fuel economy\* than a traditional commercial van.
- Reach is the first in its class to offer Selective Catalytic Reduction (SCR) technology with Diesel Exhaust Fluid (DEF) injection, which reduces NOx levels in engine exhaust by 85%.
- A time-efficient design; thanks to its low step-in combined with its pass-through design—drivers can get in and out and back on the road quicker than ever.

Altogether, these features provide you with a commercial vehicle that can "reach" a wide range of vocations -- everything from package delivery to food distribution, contracting to cleaning services, and moving and storage to heating and air conditioning.

\* Compared to class 3-5 commercial walk-in vans; testing conducted by independent, certified party.



# REACH™ SERVICE AND SUPPORT PROGRAMS PROVIDE REMARKABLE LIFECYCLE VALUE



## Vehicle Health Reports

Performed at each scheduled maintenance cycle, this report provides operational data that helps maximize a lower cost of ownership



## PSMP

An extended mileage service & maintenance program that promotes maximum vehicle uptime



## Isuzu Financing

Competitive leasing and financing options for your budget needs



## Isuzu Genuine Parts and Isuzu FleetValue Parts

Available exclusively at your local Isuzu dealer. FleetValue Parts are priced up to 50% less than competitor and OEM parts and meet or exceed the performance specifications set forth by Isuzu.



## Vehicle Support Programs

Isuzu's vehicle support programs contribute to extended lifecycle operation and continue to deliver the lowest cost of ownership mile after mile



# REACH™ DETAILS:

- 151-inch wheelbase with 14-foot body

The interior provides 630 cubic feet of storage plus up to 27 inches more headroom than a conventional cargo van and ten inches more aisle width than a European van. The Reach's cargo area enables your drivers to quickly and easily accomplish their jobs without crawling on their knees or leaving product back at the shop.

## SAFETY AND CONVENIENCE

- Some safety items are more subtle and reflect how thoroughly the Reach's designers understand the needs of a commercial work truck. For example, the Reach's step-in is a mere 15-inches from the ground, enabling the average driver to easily enter and exit the vehicle. Likewise, the 80-inch-high interior work area and 50-percent wider aisle allow larger, taller drivers to safely and comfortably work upright inside the vehicle.

## LEGENDARY ISUZU DIESEL POWER

- The Reach's 4JJ1-TC diesel engine is not just powerful, durable and economical—it's also surprisingly quiet. In fact, it's substantially quieter than diesel engines found in current walk-in vans. This reduces driver fatigue, thus increasing driver safety.

## OUTSTANDING VISIBILITY

- Even the Reach's cab and windshield have been designed to increase visibility. Whereas traditional vans have a sizeable blind spot directly in front of them, Reach drivers can see the road as close as 106 inches away. Reach drivers have an expansive view when working in tight areas or on residential job sites.

## INGENIOUS DESIGN

- The Reach offers a versatile interior space that can be tailored to your particular needs through a variety of vocational packages. These integrated vocational modules take full advantage of the Reach's impressive interior height and width and are engineered for quick and easy installation without drilling or additional body modifications. Reach vocational packages are available factory- or dealer- installed.

## REACH FOR UNMATCHED RELIABILITY AND DURABILITY

- The Reach's body has been designed to last as long as its engine. The materials used in the construction of each body panel have been carefully evaluated and selected for durability, impact resistance, functionality, corrosion resistance, thermal and sound insulation qualities and recyclability. Moreover, the Reach panels can be easily repaired and replaced.

## UPTIME ALL THE TIME

- All of the Reach's body panels, including its rear doors, are crafted of durable composite materials that are inherently corrosion resistant.
- In the event that replacement panels are required, they're supplied in the vehicle's final color and have been designed for quick removal and installation—minimizing downtime.

## THE BOTTOM LINE

- There has never been a commercial walk-in van like the economical, clean, capable, flexible, driver-friendly, durable Reach. The engineers wouldn't offer you anything less. Isuzu and Utilimaster have created this ground-breaking vehicle that will change what you will expect and demand of your commercial vans.

\* See your authorized Isuzu dealer for warranty details.

The **Reach** interior is designed to make the driver more comfortable and improve efficiency while enhancing productivity.

Versatile interior space can be tailored to your particular needs through a variety of integrated vocational modules that take full advantage of the Reach's impressive interior height and width.



Front engine and component access under the hood



Engine access from the cab area



The brake fluid reservoir has an access panel with a viewing window. The park brake is left of the driver's controls



Transmission selection dash mounted for unobstructed driver convenience



A panoramic windshield for more viewable area



Safety tread standard



The optional rear view camera with overhead monitor eases reverse maneuvers and improves overall safety



Collapsible side mirrors provide great angle of view



Track mounting accommodates a variety of vocational upfits



Low step-in and step-out



Impact resistant body panels



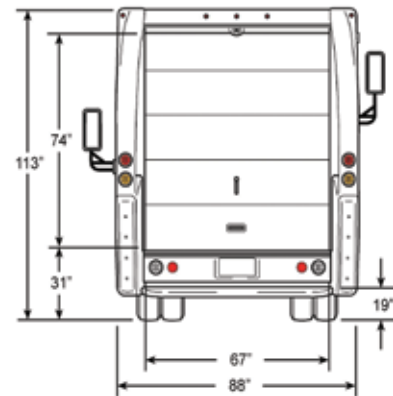
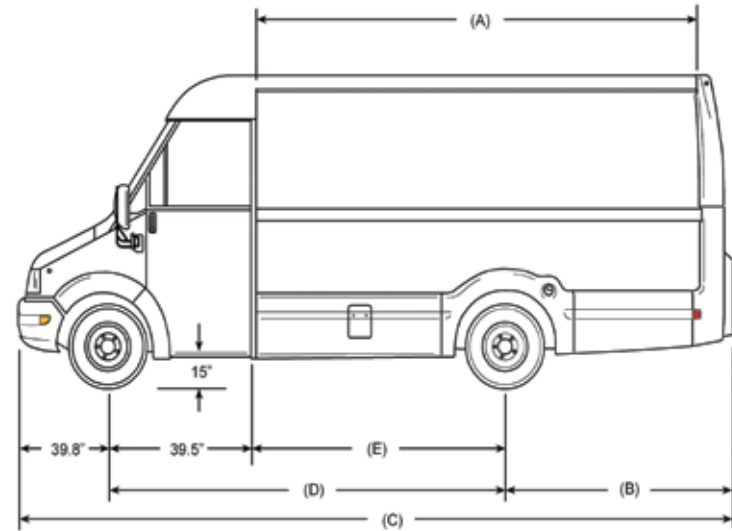
# REACH WALK IN VAN

<b>GVWR</b>	12,000 lbs.
<b>PAYLOAD</b> (preliminary)	14ft. @ 3,700 lbs.
<b>GAWR</b> Front	5,360 lbs.
Rear	8,840 lbs.
<b>FRONT AXLE CAPACITY</b>	6,830 lbs.
<b>REAR AXLE CAPACITY</b> Ratio	11,020 lbs. 4.777
<b>SUSPENSION</b> F/R SPRINGS Capacity	Tapered/Multi-Leaf 6,830/9,880 lbs.
<b>FRAME</b> Section Modulus Resistance Bending Moment	6.07 in. <sup>3</sup> 267,080 lb.-ft./in.
<b>SERVICE BRAKES</b> Front/Rear	Vacuum/Hydraulic with 4-Channel ABS Disc/Drum
<b>EXHAUST BRAKE</b>	Standard
<b>TRANSMISSION</b>	Aisin A460 6-speed auto. with double overdrive and lock-up 2 <sup>nd</sup> -6 <sup>th</sup> gears
<b>ENGINE</b> Displacement Engine Power	Isuzu 4J11-TC turbocharged intercooled diesel 3.0L (183 in. <sup>3</sup> ) 150hp @ 2,800 rpm
Engine Torque	282 lb.-ft. @ 1,600-2,800 rpm
Oil Level Indicator	Dash-mounted oil level check switch and light
<b>LIMITED SLIP DIFFERENTIAL</b>	Optional
<b>ALTERNATOR</b>	140-amp
<b>BATTERIES</b>	2 Maintenance-free 750-CCA
<b>TIRES</b>	215/85R16E (10-ply)
<b>STEERING</b>	Integral hydraulic power
<b>STEERING COLUMN</b>	Tilt column
<b>FUEL TANK</b>	25 Gallon in-rail
<b>FUEL/WATER SEPARATOR</b>	Dual fuel filter with dash-mounted indicator light

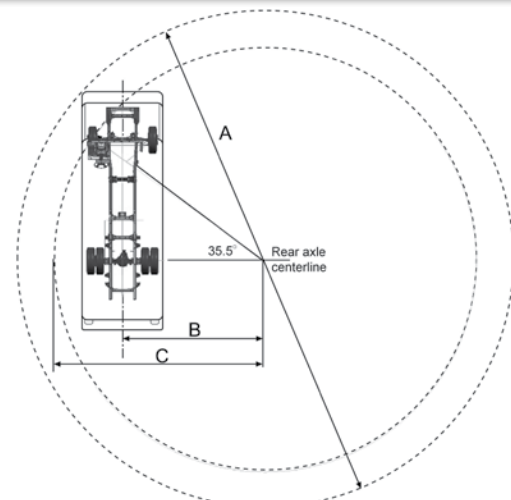


# REACH™ SPECIFICATIONS

REACH BODY DIMENSIONS		
Dimension	Description	14'
A	Cargo Floor Length	171.0
B	Behind Rear Axle	89.9"
C	Overall Length	281.0"
D	Wheel Base	151.3"
E	Bulkhead to Axle	94.6"



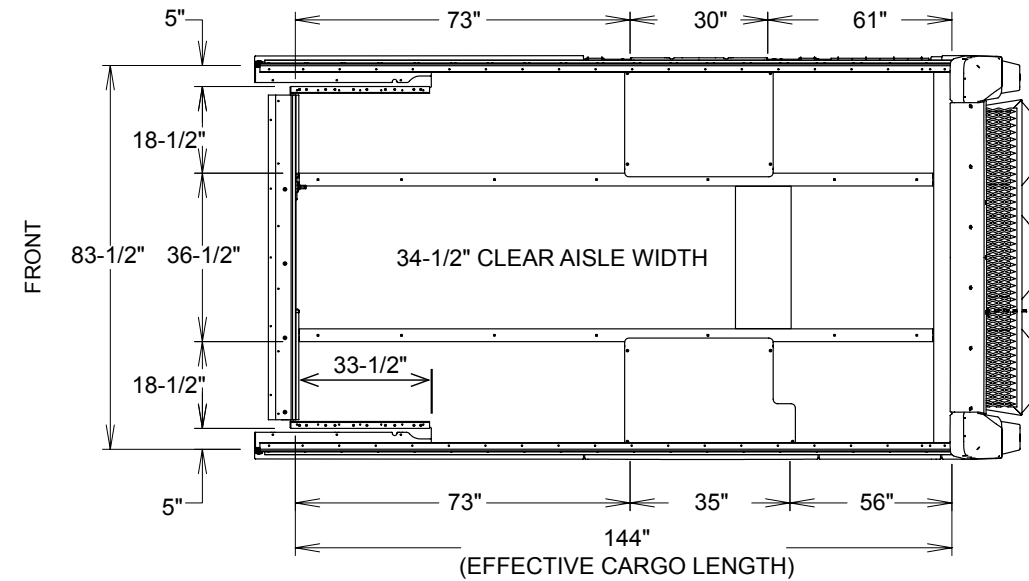
## TURNING RADIUS



DIM A	DIM B	DIM C
46 ft.	182.26 in.	263.58 in.



## 14 Ft. Body



Utilimaster, the vocational expert, offers pre-designed trade packages for installation by your Isuzu dealer. The same professional grade packages can be factory installed into your Reach van at the time of manufacture. These solutions are modular and provide complete flexibility for rental applications or changing route conditions. Trade packages can be quickly removed and easily reinstalled with simple quarter turn fasteners. Choose from pre-designed trade packages or allow the productivity experts at Utilimaster to custom design a package for your operation.