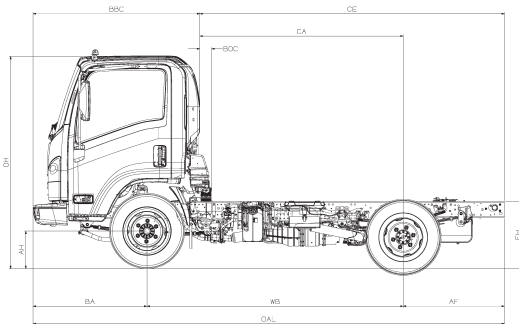
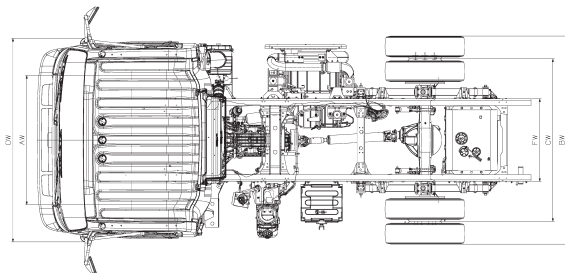


NRR DIESEL

STANDARD CAB



Wheelbase (in.)	Cab to Axle (in.)	Cab to End of Frame (in.)	Back of Cab (in.)	Overall Length (in.)	Body Length (ft.)	Overall Width (in.)	Axle Width (in.)	Overall Height (in.)
109.0	86.5	129.6	7.7	200.5	10-12	81.3	65.6	92.4
132.5	110.0	153.1	7.7	224.0	14	81.3	65.6	92.4
150.0	127.5	170.6	7.7	241.5	16-18	81.3	65.6	92.4
176.0	153.5	196.6	7.7	267.5	18-20	81.3	65.6	92.4
200.0	177.5	220.6	7.7	291.5	22	81.3	65.6	92.4
212.0	189.5	232.6	7.7	303.5	24	81.3	65.6	92.4

GVWR/GCWR	19,500/25,500 lbs.
BODY/PAYLOAD ALLOWANCE	12,294-12,875 lbs.
GAWR Front Rear	7,275 lbs. 13,660 lbs.
FRONT AXLE CAPACITY	7,275 lbs.
REAR AXLE CAPACITY Ratio	14,550 lbs. 5.571
SUSPENSION F/R SPRINGS Capacity	Tapered/Multi-Leaf 8,440/14,550 lbs.
FRAME Section Modulus Resistance Bending Moment	7.20 in. ³ 316,800 lb.-in.
SERVICE BRAKES Front/Rear	Hydraulic Boosted with 4-Channel ABS Disc/Drum
EXHAUST BRAKE	Standard
TRANSMISSION	Aisin A465 6-speed auto. with double overdrive and lock-up 2 nd -6 th gears
ENGINE	Isuzu 4HK1-TC turbocharged intercooled diesel
Displacement Engine Power Engine Torque	5.2L (317 in. ³) 215 hp @ 2,500 rpm 452 lb.-ft. @ 1,850 rpm
OIL LEVEL INDICATOR	Dash-mounted oil level check switch and light
LIMITED SLIP DIFFERENTIAL	Optional
ALTERNATOR	140-amp
BATTERIES	2 Maintenance-Free 750-CCA
TIRES LRR (Low Rolling Resistance)	225/70R19.5F (12-pr) Standard
STEERING	Integral Hydraulic Power
STEERING COLUMN	Tilt and Telescopic
FUEL TANK Standard Optional	30 gal. in-rail 33 gal. side mount (176" WB Only)
FUEL/WATER SEPARATOR	Dual fuel filter with dash mounted indicator light

2019 ISUZU N-SERIES DIESEL WARRANTY COVERAGE AT A GLANCE

Vehicle Coverage	Warranty Limitations (Time or Mileage, Whichever Comes First)*		Percentage of Dealer's Normal Charge Paid by Owner	
	Time in Years	Vehicle Miles	Parts	Labor
Basic	0-3 Years	Unlimited	No Charge	No Charge
Engine	0-3 Years	Unlimited	No Charge	No Charge
• Transmission • Drive Axle • Driveshaft • Front Axle I-Beam • Crossmembers • Flywheel Housing • Clutch Housing • Frame Rails	0-3 Years	Unlimited	No Charge	No Charge
Engine Emissions Control System - Federal	0-3 Years	Unlimited	No Charge	No Charge
Tires	3-5 Years	Unlimited	50%	50%
Corrosion (Rust Through)	0-5 Years	0-100,000	No Charge	No Charge
	0-2 Years	0-24,000	No Charge	No Charge
	0-4 Years	Unlimited	No Charge	No Charge

* The warranty coverages are determined by the mileage of the vehicle and the number of years from the delivery date. See your authorized Isuzu dealer for warranty details.