

FTR

CLASS 6



STANDARD CAB

| | | |
|---|--|---------------------------------------|
| GVWR 25,950 lb. | GCWR 30,000 lb. | PAYLOADS 14,505- 16,264 lb. |
| CUMMINS B6.7L 260 HP 660 LB-FT TORQUE | ALLISON® 2550 RDS TRANSMISSION INCLUDES PARK PAWL | |

FVR

CLASS 7



STANDARD CAB

| | | |
|---|--|---------------------------------------|
| GVWR 33,000 lb. | GCWR 33,000 lb. | PAYLOADS 21,455- 22,989 lb. |
| CUMMINS B6.7L 260 HP 660 LB-FT TORQUE | ALLISON® 2500 RDS TRANSMISSION | |

FVR DERATE

CLASS 6

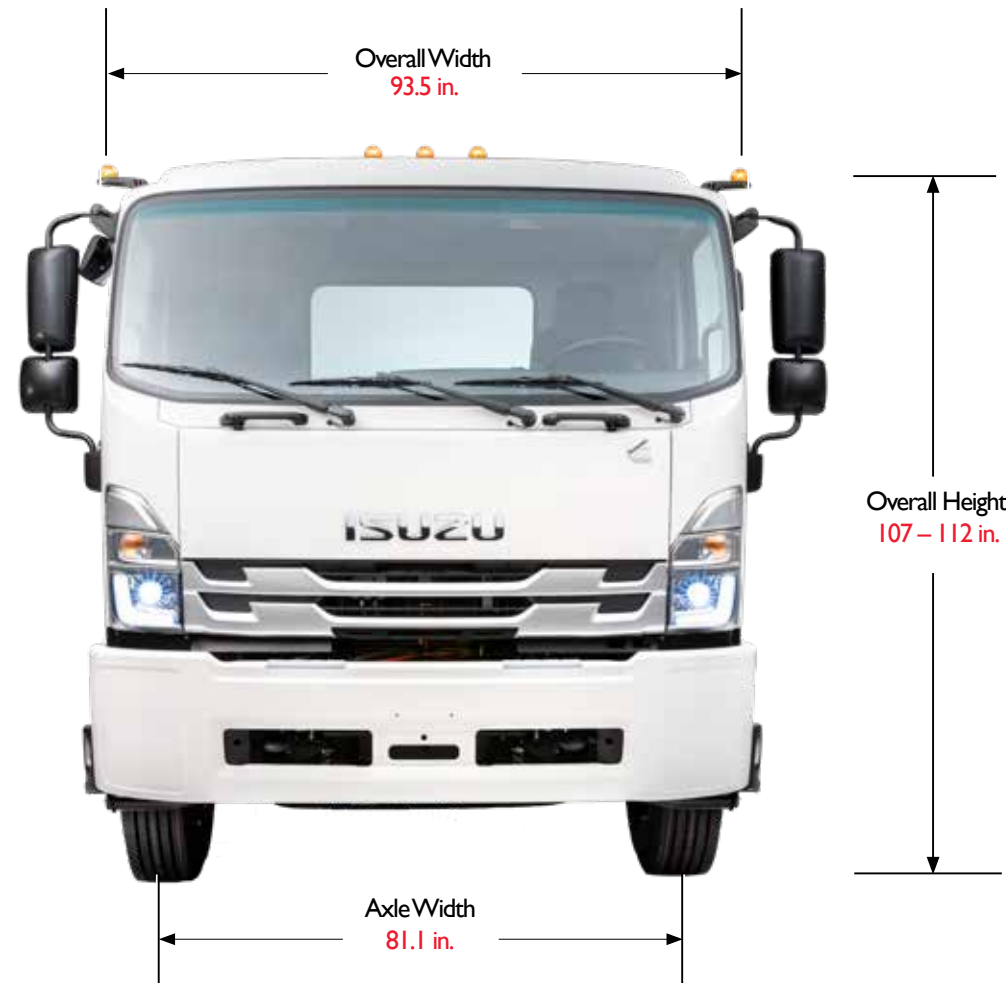


STANDARD CAB

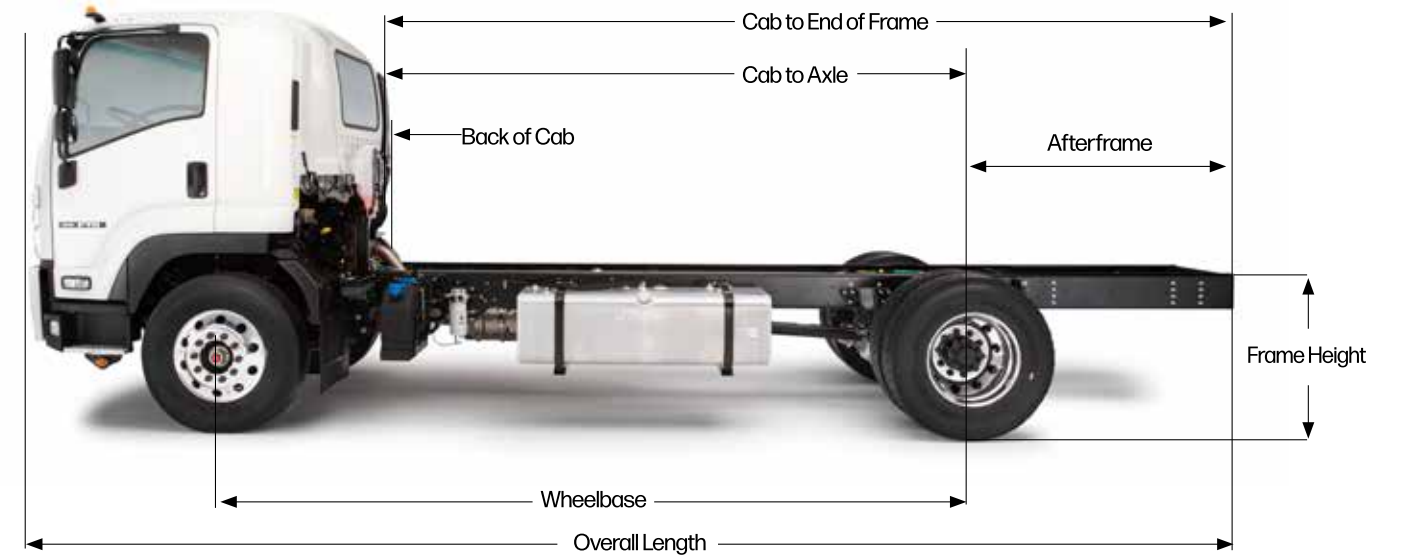
| | | |
|---|--|---------------------------------------|
| GVWR 25,950 lb. | GCWR 33,000 lb. | PAYLOADS 14,405- 15,939 lb. |
| CUMMINS B6.7L 260 HP 660 LB-FT TORQUE | ALLISON® 2500 RDS TRANSMISSION | |



DIMENSIONS & CAPACITIES



| Wheelbase (in.) | Cab to Axle (in.) | Cab to End of Frame (in.) | Back of Cab (in.) | OAL (in.) | OAW (in.) | Frame Rail Width (in.) | Afterframe | Body Length (ft.) |
|-----------------|-------------------|---------------------------|-------------------|-----------|-----------|------------------------|------------|-------------------|
| 152 | 127 | 1929 | 10.4 | 2744 | 93.5 | 33.5 | 65.9 | 14-16 |
| 170 | 145 | 220 | 10.4 | 3015 | 93.5 | 33.5 | 75 | 16-18 |
| 188 | 163 | 247 | 10.4 | 3285 | 93.5 | 33.5 | 84.1 | 18-20 |
| 200 | 175 | 2649 | 10.4 | 3464 | 93.5 | 33.5 | 90 | 20-22 |
| 212 | 187 | 2831 | 10.4 | 3646 | 93.5 | 33.5 | 96.1 | 22-24 |
| 224 | 199 | 301 | 10.4 | 3825 | 93.5 | 33.5 | 102 | 22-26 |
| 236 | 211 | 3191 | 10.4 | 4006 | 93.5 | 33.5 | 108.1 | 24-28 |
| 248 | 223 | 337 | 10.4 | 4185 | 93.5 | 33.5 | 114 | 26-30 |



| FTR | | | | FVR DERATE | | | | FVR | | | |
|------------|--------------------|---------------------|-------------|-------------------|--------------------|---------------------|-------------|------------|--------------------|---------------------|-------------|
| WB (in.) | Curb Weight (lbs.) | Body Payload (lbs.) | Model Codes | WB (in.) | Curb Weight (lbs.) | Body Payload (lbs.) | Model Codes | WB (in.) | Curb Weight (lbs.) | Body Payload (lbs.) | Model Codes |
| 152 | 9,686 | 16,264 | MT1 | 152 | 10,011 | 15,939 | MW1 | 152 | 10,011 | 22,989 | MV1 |
| 170 | 9,764 | 16,186 | MT2 | 170 | 10,089 | 15,861 | MW2 | 170 | 10,089 | 22,911 | MV2 |
| 188 | 9,947 | 16,003 | MT3 | 188 | 10,605 | 15,346 | MW3 | 188 | 10,605 | 22,396 | MV3 |
| 200 | 10,191 | 15,759 | MT4 | 200 | 10,726 | 15,225 | MW4 | 200 | 10,726 | 22,275 | MV4 |
| 212 | 10,280 | 15,671 | MT5 | 212 | 10,849 | 15,102 | MW5 | 212 | 10,849 | 22,152 | MV5 |
| 224 | 10,524 | 15,427 | MT6 | 224 | 10,970 | 14,981 | MW6 | 224 | 10,970 | 22,031 | MV6 |
| 236 | 10,767 | 15,184 | MT7 | 236 | 11,092 | 14,859 | MW7 | 236 | 11,092 | 21,909 | MV7 |
| 248 | 10,888 | 15,062 | MT8 | 248 | 11,213 | 14,737 | MW8 | 248 | 11,213 | 21,787 | MV8 |

STANDARD TIRES

| FH = Frame height (unladen) at E.O.F. (in.) | |
|---|------|
| Multi-Leaf | 42.5 |
| Air | 38.2 |
| OAH Standard Tires Multi-leaf/Air (in.) | |
| 112/108.6 | |

FTR LOW PRO TIRES

| FH = Frame height (unladen) at E.O.F. (in.) | |
|---|------|
| Multi-Leaf | 39.9 |
| Air | 35.9 |
| FTR OAH Low Pro Tires Multi-leaf/Air (in.) | |
| 110.2/107 | |